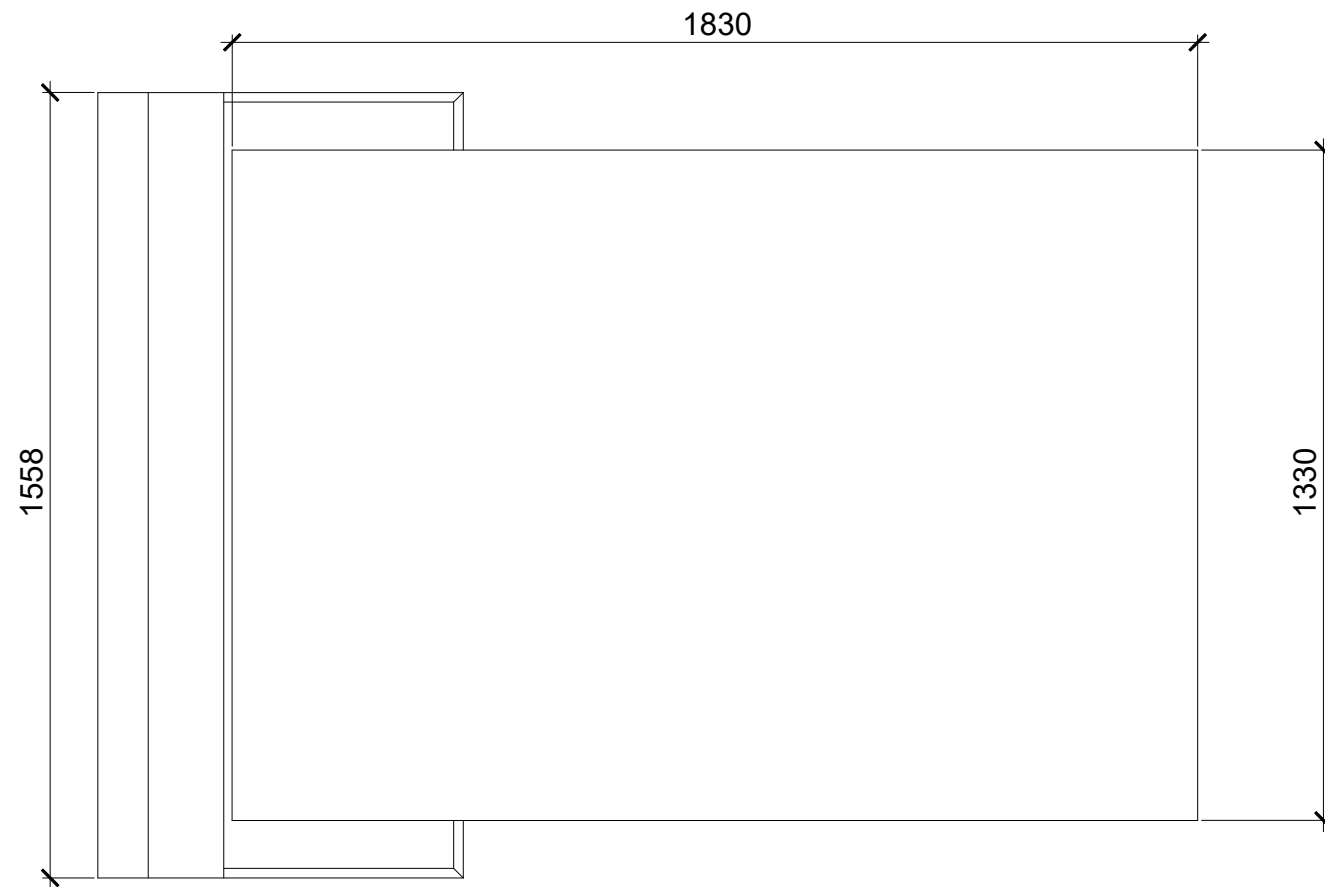
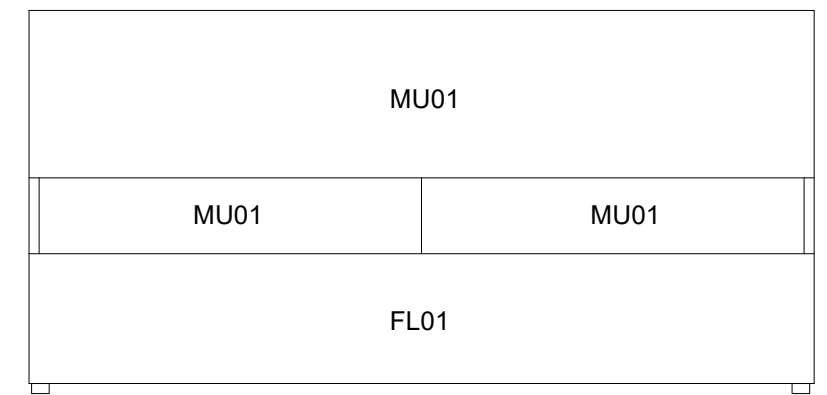


PLAN_01

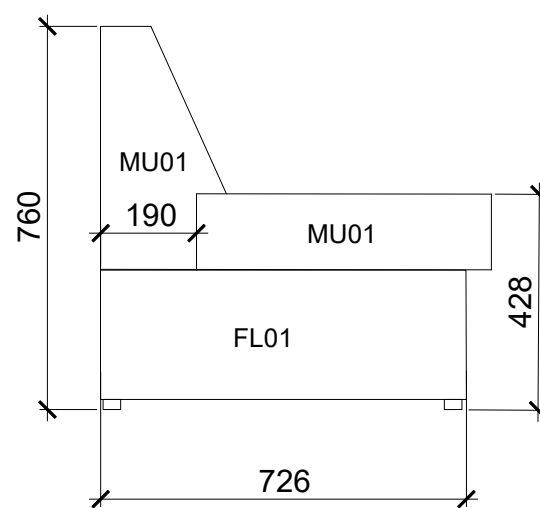


PLAN_02

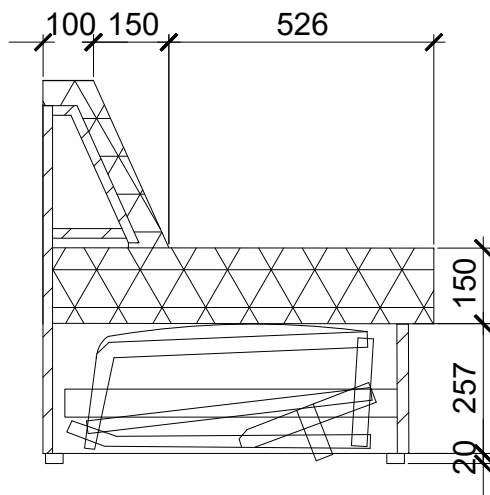
MU01 FABRIC
FL01 LAMINATE



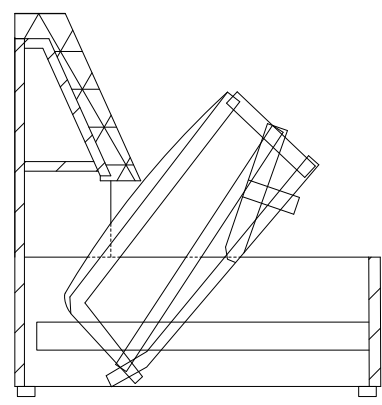
ELEVATION_FRONT



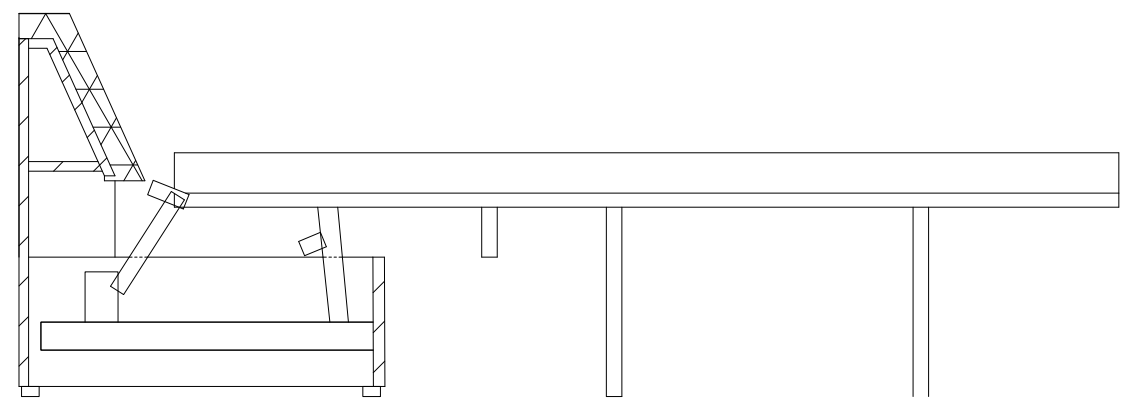
ELEVATION_SIDE



SECTION_01



SECTION_02



SECTION_03

INTERSTUDIO 12-14 EASEY ST, COLLINGWOOD VIC 3066 www.interstudio.com.au	Project: MARRIOTT MELBOURNE	Drawing Title: SOFABED_MARK 2	Scale: NTS	Date: 10 AUG 2022
			Drawn By: EM	Rev: -